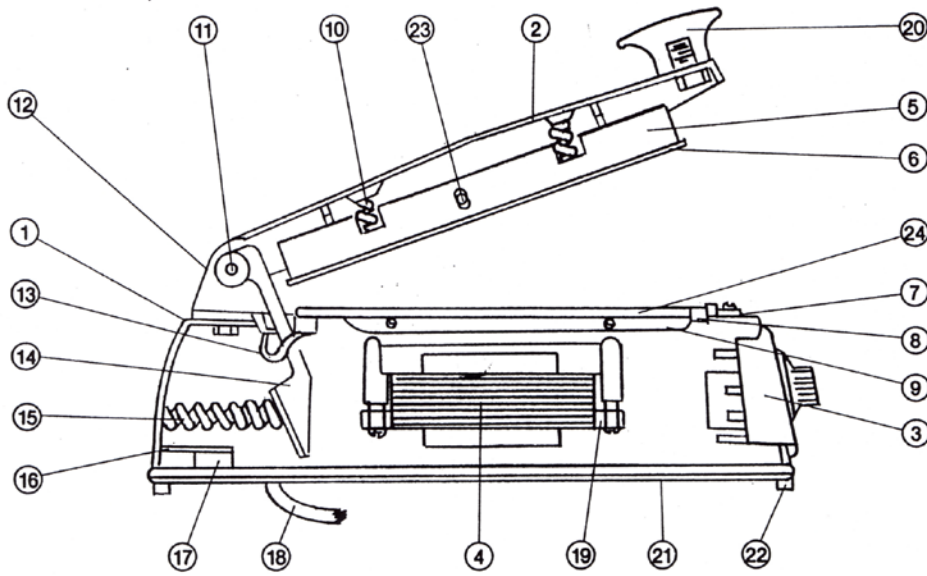
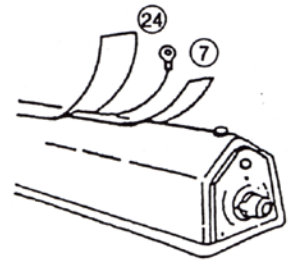


Parts Breakdown

Model SE-CN-0508 14451



ELEMENT SERVICE KIT 25



Parts Breakdown

Model SE-CN-0508 14451

Item No.	Description	Position	Item No.	Description	Position	Item No.	Description	Position
77332	Main Housing for 14451	1	19424	Spring for 14451	10	19426	Bracket for 14451	19
77333	Hand Lever for 14451	2	76816	Hand Lever Pin for 14451	11	77339	Lever Hand Knob for 14451	20
16038	Timer Assembly for 14451	3	76817	Hand Lever Bracket for 14451	12	64890	Bottom Plate Housing for 14451	21
19200	Transformer for 14451	4	76818	Tension Spring Element for 14451	13	77340	Rubber Foot for 14451	22
77334	Pressure Bar for 14451	5	76819	Fulcrum Lever for 14451	14	76825	Pressure Bar Pin for 14451	23
77335	Pressure Bar Rubber with Holder for 14451	6	77337	Lever Hand Spring for 14451	15	77341	Teflon Cover Plate for 14451	24
64153	Sealing Band Element Trim Wire Element for 14451	7	76820	Microswitch Bracket for 14451	16	16042	Element Service Kit for 14451	25
25192	Element Insulator Tape for 14451	8	77338	Microswitch for 14451	17			
77336	Teflon Cover Plate for 14451	9	76822	Power with Plug Cord for 14451	18			